

## LRS-1990 DPSS Laser System



### Series Specifications:

Nominal Wavelength	1990 nm
Output Type	CW
Laser Source Type	DPSS

### Overview:

The LRS-1990 Series of Diode-Pumped Solid-State (DPSS) Lasers are ideal for applications requiring 10 mW to 500 mW of 1990 nm laser light with a high level of long-term output power stability and long operating lifetime at an aggressively competitive cost.

These lasers are commonly used for various scientific applications such as measurement, communications research, spectral analysis, and a broad spectrum of other applications. The driver is available as a complete FDA-compliant system or as an O.E.M. component with significantly reduced dimensions.

Available with both on-board and remote on/off control as well as a wide array of output power and stability levels, Laserglow products are currently being used by some of the World's top universities and other prominent research facilities.

### Key Features:

- Air cooled - no need for water cooling or external chiller
- Lightweight, compact design
- Efficient DPSS technology runs on standard AC power (85 - 264 V, 47 - 63 Hz)
- >10,000 hours continuous maintenance-free operating life
- TTL and Analog modulation (input via BNC connector) *lab-spec models only*
- Adjustable output power (via lockable dial) *lab-spec models only*
- LED display showing LD current, laser cavity temperature *lab-spec models only*
- FDA CDRH Compliant Class IIIb / Class IV enclosure
- 48-hour replacement coverage available for an additional fee on specific models

### Package Includes:

- Laser Head
- Driver/Power Supply
- Power Cable
- BNC Connector (LabSpec models only)
- Keys, Safety Interlock
- Hard-shell Carrying Case

## Specifications:

This spec sheet has been generated specifically for part number RJ8-W, per your request, and data for the entire series is also displayed for your reference. The specs which are specific to RJ8-W have been highlighted below in **red + bold**.

Laser Form Factor	F	<b>W</b>
Output Power (mW)	>10, >50, >100, >200	<b>&gt;1000, &gt;3000</b>
Output Power Stability (%RMS/4h)	<1, <3, <5, <10	<b>&lt;3, &lt;5, &lt;10</b>
FDA Safety Class	IIIb	<b>IV</b>
Central Wavelength (nm)	1990	<b>1990</b>
Wavelength Tolerance (+/- nm)	2	<b>5</b>
Divergence (mrad, full angle)	<8	<b>&lt;8</b>
Beam Dimensions (mm, 1/e <sup>2</sup> )	4	<b>4</b>
Transverse Mode	Near TEM00	<b>Multimode</b>
Longitudinal Modes	Multiple	<b>Multiple</b>
Warm-up Time (minutes)	10	<b>10</b>
M <sup>2</sup>		<b>&lt;4</b>
Polarization Ratio	>500	<b>&gt;500</b>
Beam Pointing Stability (mrad)	<0.05	
Operating Temperature Range (°C)	10 to 35	<b>10 to 35</b>
Storage Temperature Range (°C)	-10 to	<b>-10 to 50</b>
Max. Analog Modulation Freq. (Hz)	500	<b>500</b>
Max. TTL Modulation Freq. (Hz)	500, 10000	<b>500, 10000</b>
Modulation Input Signal	0-5 VDC	<b>0-5 VDC</b>
Max. Power Input Duty Cycle	100%	<b>100%</b>
Cooling Method	TEC/Forced Air	<b>TEC/Forced Air</b>
Standard Warranty (months)	12	<b>12</b>
MTTF (operational hours)	10000	<b>10000</b>
Weight of Product or Laser Head (kg)	1.6	<b>6.1</b>
Beam Height from Base Plate (mm)	45	<b>93.5</b>

CW: All specifications are based on performance at full output power and after the specified warmup period. Output characteristics may change if the laser is run at a different power level.

Q-Switched: Specifications are based on the laser pulsing at the specified design frequency. Output characteristics may change if the laser is run at a different frequency.

## Specifications Page 2:


Laser Form Factor	F	W
Dimensions of Product or Laser Head (mm)	211.5 (l) x 88 (w) x 74 (h)	346 (l) x 140 (w) x 125 (h)


CW: All specifications are based on performance at full output power and after the specified warmup period. Output characteristics may change if the laser is run at a different power level.

Q-Switched: Specifications are based on the laser pulsing at the specified design frequency. Output characteristics may change if the laser is run at a different frequency.

### Power Supply Options:

These lasers are available with several different power supply options. The model that you have selected is highlighted below, and any other options are shown for easy reference.

	Power Supply Type:	<b>FF</b>	<b>FW</b>
FDA-Compliant LabSpec 	Input Power	85v to 264v	<b>85v to 264v</b>
	Power Supply Weight (kg)	2.6	<b>5.2</b>
	Dimensions (mm)	268 (l) x 145 (w) x 106 (h)	<b>307 (l) x 168 (w) x 123 (h)</b>

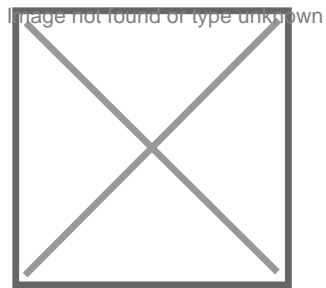
	Power Supply Type:	<b>SF</b>	<b>SW</b>
FDA-Compliant Standard 	Input Power	85v to 264v	85v to 264v
	Power Supply Weight (kg)	2.3	5.1
	Dimensions (mm)	238 (l) x 146 (w) x 102 (h)	307 (l) x 168 (w) x 123 (h)

\*Power supply may not be exactly as shown, see dimensional drawings on next 2 pages.

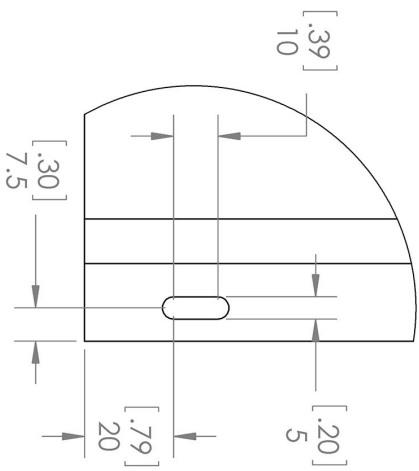
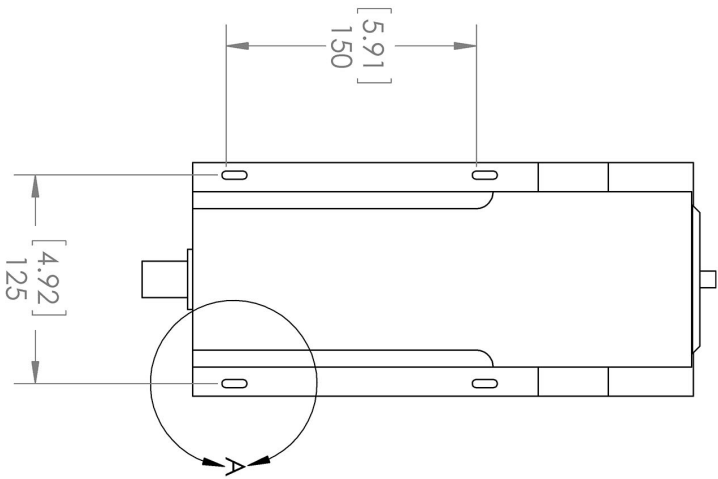
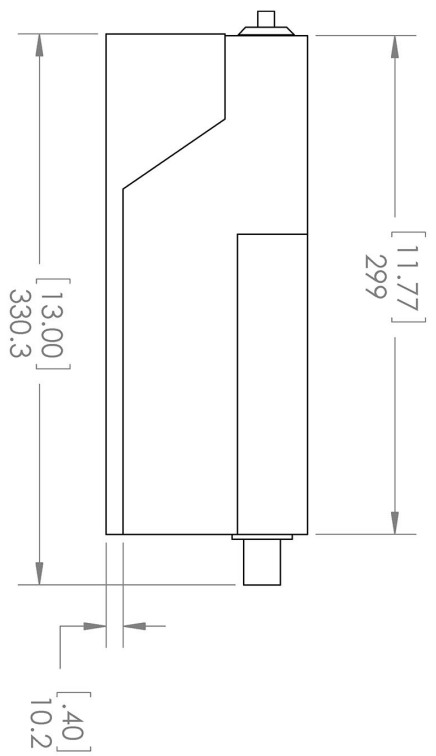
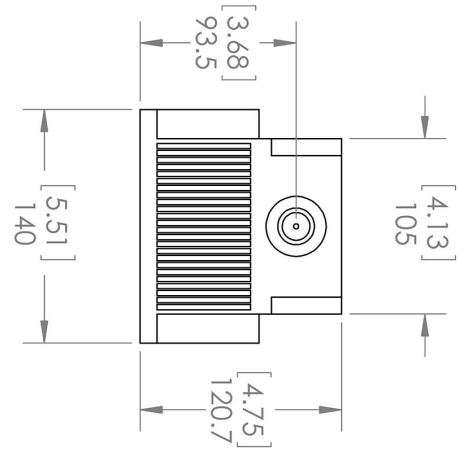
\*Dimensions for fiber-integrated (I\_) include laser head packaged inside.

### Regulatory Classification:

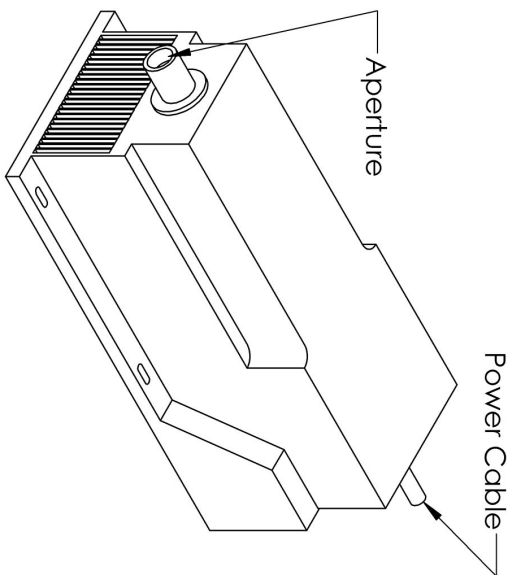
The model you have selected (RJ8-W) requires the following safety label(s):



**Dimensional Drawing - Laser Form Factor: W:**



DETAIL A  
SCALE 1 : 1.5



UNLESS OTHERWISE SPECIFIED:  
DIMENSIONS ARE IN MILLIMETER  
TOLERANCES: +/- 0.075 MM

THE INFORMATION CONTAINED IN THIS DRAWING IS THE SOLE PROPERTY OF LASERGLOW TECHNOLOGIES. ANY REPRODUCTION IN PART OR AS A WHOLE WITHOUT THE WRITTEN PERMISSION OF LASERGLOW TECHNOLOGIES IS PROHIBITED. © 2012 LASERGLOW.COM LIMITED. ALL RIGHTS RESERVED

Laserglow Technologies

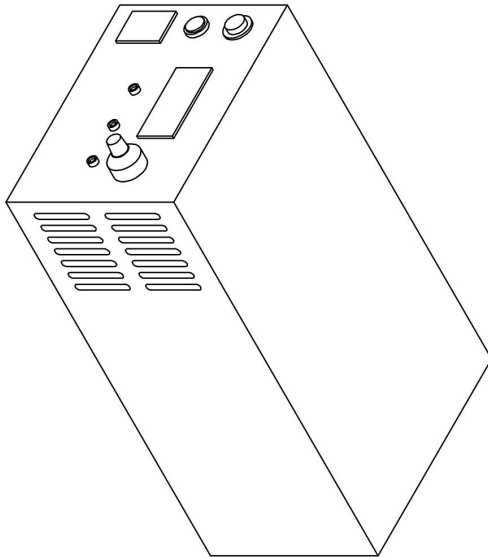
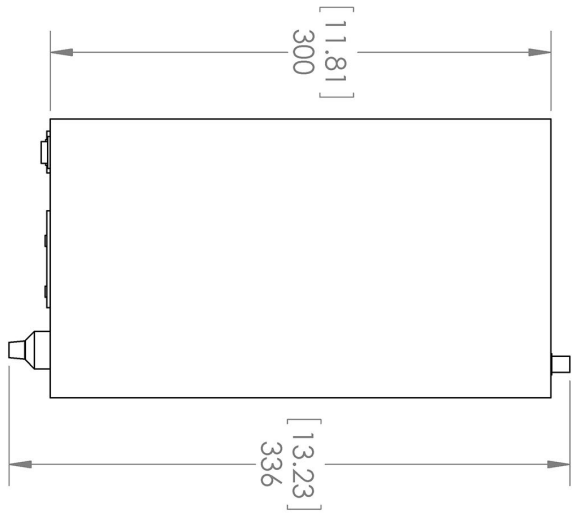
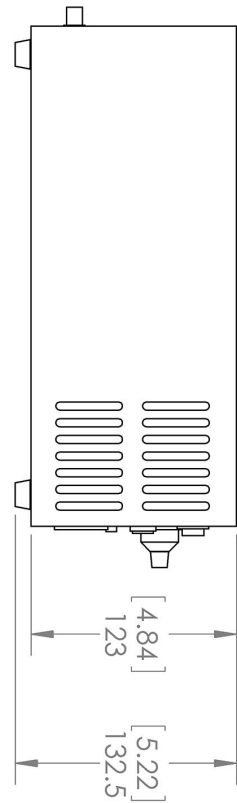
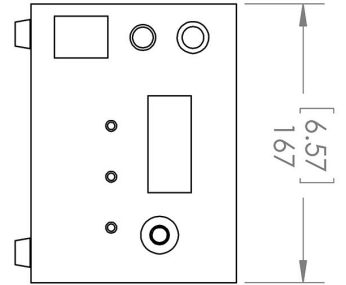
Lab/OEM  
W Housing

REV  
1

SCALE: 1:4

SHEET 1 OF 1

**Dimensional Drawing - Power Supply Form Factor: FW:**





UNLESS OTHERWISE SPECIFIED:  
 DIMENSIONS ARE IN MM(INCH)  
 TOLERANCES: +/- 0.75 MM

THE INFORMATION CONTAINED IN THIS DRAWING IS THE SOLE PROPERTY OF LASERGLOW TECHNOLOGIES. ANY REPRODUCTION IN PART OR AS A WHOLE WITHOUT THE WRITTEN PERMISSION OF LASERGLOW TECHNOLOGIES IS PROHIBITED. © 2012 LASERGLOW.COM LIMITED. ALL RIGHTS RESERVED

TITLE: <b>Laserglow Technologies</b>	
SCALE: 1:4	
SHEET 1 OF 1	
<b>Power Supply</b> <b>FW/FY</b> REV 1	

**Accessories:**

The most popular accessories for model RJ8-W are shown below. For additional details regarding these or other accessories please see our website or contact us directly.

Part Number	Description	
 ACALBHFXX	Carrying Case-103 Holds Lab/OEM H, F and O size Standard/LabSpec laser Full Details: <a href="http://www.laserglow.com/ACA">www.laserglow.com/ACA</a>	Included With Laser
 AGFMIR4XX	LSG-MIR-NF-4 Fit-Over Safety Goggles Mid-IR Range Output: OD 4+ at 945-10600 nm CE Certified Full Details: <a href="http://www.laserglow.com/AGF">www.laserglow.com/AGF</a>	

**FOR MORE INFORMATION PLEASE CONTACT:**

LASERGLOW TECHNOLOGIES  
873 St. Clair Ave West, Toronto, ON, Canada M6C1C4  
Tel. (416) 729-7976 Fax (480) 247-4864  
[sales@laserglow.com](mailto:sales@laserglow.com) [www.laserglow.com](http://www.laserglow.com)

E&OE: Data included in this sheet may be subject to change without notice.

Please confirm critical specifications with our staff prior to ordering.