

LRS-1064 DPSS Laser System



Series Specifications:

| | |
|--------------------|---------|
| Nominal Wavelength | 1064 nm |
| Output Type | CW |
| Laser Source Type | DPSS |

Overview:

The LRS-1064 Series of Diode-Pumped Solid-State (DPSS) Lasers are ideal for applications requiring anywhere up to 200 W of 1064 nm laser light with the highest level of long-term output power stability and long operating lifetime at a highly competitive cost.

These lasers are commonly used for various scientific applications such as measurement, communications research, spectral analysis, and a broad spectrum of other applications. The driver is available as a complete FDA-compliant system or as an O.E.M. component with significantly reduced dimensions.

Available with both analog and TTL modulation as well as a wide array of output power and stability levels, Laserglow products are currently being used by some of the World's top universities and other prominent research facilities.

Key Features:

- Air cooled below 50W, closed-loop water cooling 50 W and above
- Lightweight, compact design
- Efficient DPSS technology runs on standard AC power (85 - 264 V, 47 - 63 Hz)
- >10,000 hours continuous maintenance-free operating life
- TTL and Analog modulation (input via BNC connector) *lab-spec models only*
- Adjustable output power (via lockable dial) *lab-spec models only*
- LED display showing LD current, laser cavity temperature *lab-spec models only*
- FDA CDRH Compliant Class IIIb / Class IV enclosure
- 48-hour replacement coverage available for an additional fee on specific models

Package Includes:

- Laser Head
- Driver/Power Supply
- Power Cable
- BNC Connector (LabSpec models only)
- Keys, Safety Interlock
- Hard-shell Carrying Case
- Water chiller included on models above 50 W

Specifications:

This spec sheet has been generated specifically for part number RA6-SS, per your request, and data for the entire series is also displayed for your reference. The specs which are specific to RA6-SS have been highlighted below in **red + bold**.

| Laser Form Factor | M | SS | H | N | W | B |
|---|-------------------------|--|----------------|----------------|------------------------|--------------------------|
| Output Power (mW) | >100, >300, >500, >1000 | >100, >300, >500, >1000 | >2000 | >4000, >5000 | >10000, >15000, >20000 | 100,000, 200,000, >50000 |
| Output Power Stability (%RMS/4h) | <1, <3, <5 | <1, <3, <5 | <1, <3, <5 | <1, <3, <5 | <1, <3, <5 | <3, <5 |
| FDA Safety Class | IIIb, IV | IIIb, IV | IV | IV | IV | IV |
| Central Wavelength (nm) | 1063.2 | 1064 | 1063.2 | 1063.2 | 1063.2 | 1063.2 |
| Wavelength Tolerance (+/- nm) | 1 | 1 | 1 | 1 | 1 | 1 |
| Divergence (mrad, full angle) | <1.5 | <1.8 | <2 | <1.5 | <2 | <3.5 |
| Beam Dimensions (mm, 1/e ²) | 1.5 | 1.2 | 3 | 3 | 2 | 6, 9 |
| Transverse Mode | TEM00 | TEM00 | Near TEM00 | Near TEM00 | Near TEM00 | Multimode |
| Longitudinal Modes | Multiple | Multiple | Multiple | Multiple | Multiple | Multiple |
| Warm-up Time (minutes) | 10 | 5 | 10 | 10 | 10 | 10 |
| M ² | <1.5 | <1.5 | <2 | <3 | <2 | |
| Polarization Ratio | >100 | >100 | >100 | >100 | >100 | |
| Beam Pointing Stability (mrad) | <0.05 | <0.05 | <0.05 | <0.05 | <0.05 | <0.05 |
| IP rating | | 67 | | | | |
| Lateral Shock Tolerance (G's/6ms) | | 7 | | | | |
| Vertical Shock Tolerance (G's/6ms) | | 15 | | | | |
| Operating Temperature Range (°C) | 10 to 35 | 1 to 60 | 10 to 35 | 10 to 35 | 10 to 35 | 15 to 35 |
| Storage Temperature Range (°C) | -10 to | -10 to 50 | -10 to | -10 to | -10 to | -10 to |
| Max. Analog Modulation Freq. (Hz) | 30000 | 30000 | 30000 | 30000 | 30000 | 30000 |
| Max. TTL Modulation Freq. (Hz) | 30000 | 30000 | 30000 | 30000 | 30000 | 30000 |
| Modulation Input Signal | 0-5 VDC | 0-5 VDC | 0-5 VDC | 0-5 VDC | 0-5 VDC | 0-5 VDC |
| Total Power Consumption (W) | 22, 30, 35 | 40 | 70 | | 153 | |
| Max. Power Input Duty Cycle | 100% | 100% | 100% | 100% | 100% | 100% |
| Cooling Method | TEC | TEC | TEC/Forced Air | TEC/Forced Air | TEC/Forced Air | Water (Closed Loop) |

CW: All specifications are based on performance at full output power and after the specified warmup period. Output characteristics may change if the laser is run at a different power level.

Q-Switched: Specifications are based on the laser pulsing at the specified design frequency. Output characteristics may change if the laser is run at a different frequency.

Specifications Page 2:


| Laser Form Factor | M | SS | H | N | W | B |
|--|-------------------------------|---------------------------|---------------------------|---------------------------|-----------------------------|-----------------------------|
| Standard Warranty (months) | 12 | 12 | 12 | 12 | 12 | 12 |
| MTTF (operational hours) | 10000 | 10000 | 10000 | 10000 | 10000 | 10000 |
| Weight of Product or Laser Head (kg) | 0.6 | | 0.9 | 2.6 | 6.1 | 15 |
| Beam Height from Base Plate (mm) | 24.8 | 19 | 29 | 68.2 | 93.5 | 65 |
| Dimensions of Product or Laser Head (mm) | 140.8 (l) x 73 (w) x 46.2 (h) | 100 (l) x 50 (w) x 38 (h) | 155 (l) x 77 (w) x 60 (h) | 240 (l) x 99 (w) x 94 (h) | 346 (l) x 140 (w) x 125 (h) | 426 (l) x 150 (w) x 130 (h) |

CW: All specifications are based on performance at full output power and after the specified warmup period. Output characteristics may change if the laser is run at a different power level.

Q-Switched: Specifications are based on the laser pulsing at the specified design frequency. Output characteristics may change if the laser is run at a different frequency.

Power Supply Options:

These lasers are available with several different power supply options. The model that you have selected is highlighted below, and any other options are shown for easy reference.

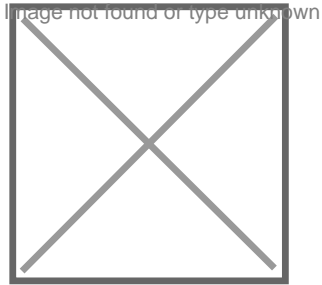
| | Power Supply Type: | FM | FH | FN | FW | FB |
|--|--------------------------|----------------------------|-----------------------------|-----------------------------|-----------------------------|-----------------------------|
| FDA-Compliant LabSpec  | Input Power | 85v to 264v | 85v to 264v | 85v to 264v | 85v to 264v | 85v to 264v |
| | Power Supply Weight (kg) | 1.5 | 2.6 | 2.6 | 5.2 | 18.5 |
| | Dimensions (mm) | 154 (l) x 155 (w) x 95 (h) | 268 (l) x 145 (w) x 106 (h) | 268 (l) x 145 (w) x 106 (h) | 307 (l) x 168 (w) x 123 (h) | 340 (l) x 463 (w) x 221 (h) |

*Power supply may not be exactly as shown, see dimensional drawings on next 2 pages.

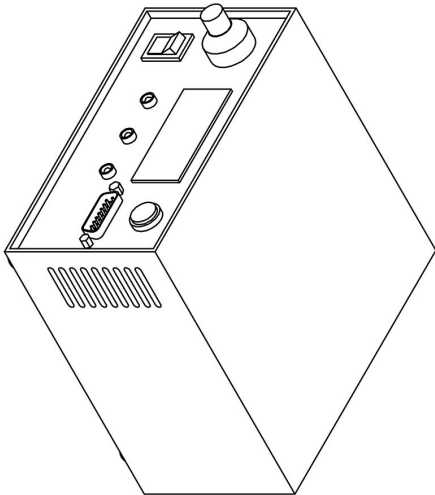
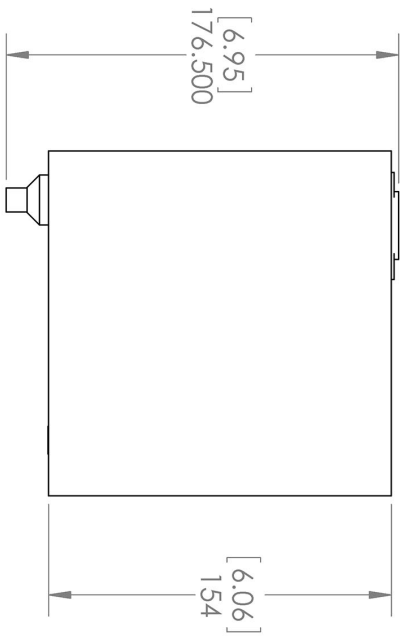
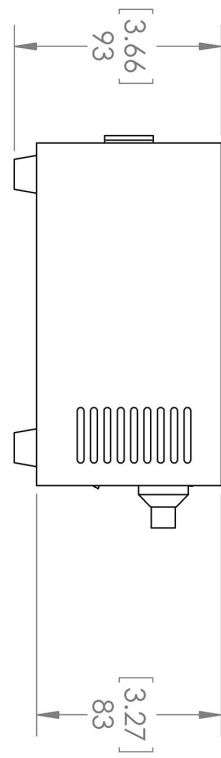
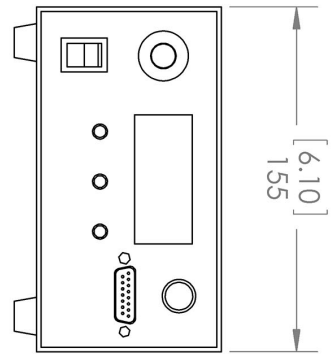
*Dimensions for fiber-integrated (I_) include laser head packaged inside.

Regulatory Classification:

The model you have selected (RA6-SS) requires the following safety label(s):



Dimensional Drawing - Power Supply Form Factor: FS:



UNLESS OTHERWISE SPECIFIED:
 DIMENSIONS ARE IN MM(INCH)
 TOLERANCES: +/- 0.75 MM

THE INFORMATION CONTAINED IN THIS DRAWING IS THE SOLE PROPERTY OF LASERGLOW TECHNOLOGIES. ANY REPRODUCTION IN PART OR AS A WHOLE WITHOUT THE WRITTEN PERMISSION OF LASERGLOW TECHNOLOGIES IS PROHIBITED. © 2012 LASERGLOW.COM LIMITED. ALL RIGHTS RESERVED

Laserglow Technologies

TITLE:

**Power Supply
 FM/FR/FS**








REV
1

SCALE: 1:3

SHEET 1 OF 1

Accessories:

The most popular accessories for model RA6-SS are shown below. For additional details regarding these or other accessories please see our website or contact us directly.

| Part Number | Description | |
|--|---|---------------------|
|  ACFMIRHXA | FC/PC Fiber Coupler/Collimator for IR wavelengths (1000 to 1300 nm) (installed and aligned) 11mm diameter input lens Full Details: www.laserglow.com/ACF | |
|  AGFA647XX | LSG-1064-NF-7 Fit-Over Safety Goggles 1064nm Output: OD 7+ at 950-1070 nm CE Certified Full Details: www.laserglow.com/AGF | |
|  ACSMIRHXA | SMA-905 Fiber Coupler/Collimator for IR wavelengths (1000 to 1300 nm) (installed and aligned) 11mm diameter input lens Full Details: www.laserglow.com/ACS | |
|  AFF2002XX | Armored Fiber With FC/PC Connectors 200um Core Multimode 2m length Full Details: www.laserglow.com/AFF | |
|  AFS2002XX | Armored Fiber With SMA 905 Connectors 200um Core Multimode 2 m length Full Details: www.laserglow.com/AFS | |
|  TBK | Complete optics kits with breadboard mounting hardware. External modulators, variable attenuators, free-space fiber launch systems Full Details: www.laserglow.com/TBK | |
|  ACALBMXXX | Carrying Case-102 Holds Lab/OEM M, R and S size, standard or LabSpec laser Full Details: www.laserglow.com/ACA | Included With Laser |

FOR MORE INFORMATION PLEASE CONTACT:

LASERGLOW TECHNOLOGIES
873 St. Clair Ave West, Toronto, ON, Canada M6C1C4
Tel. (416) 729-7976 Fax (480) 247-4864
sales@laserglow.com www.laserglow.com

E&OE: Data included in this sheet may be subject to change without notice.

Please confirm critical specifications with our staff prior to ordering.